

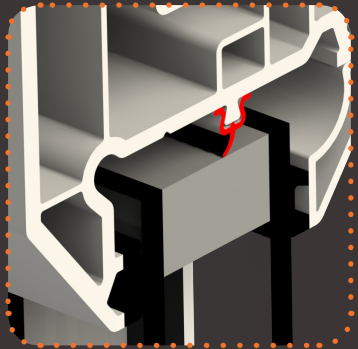
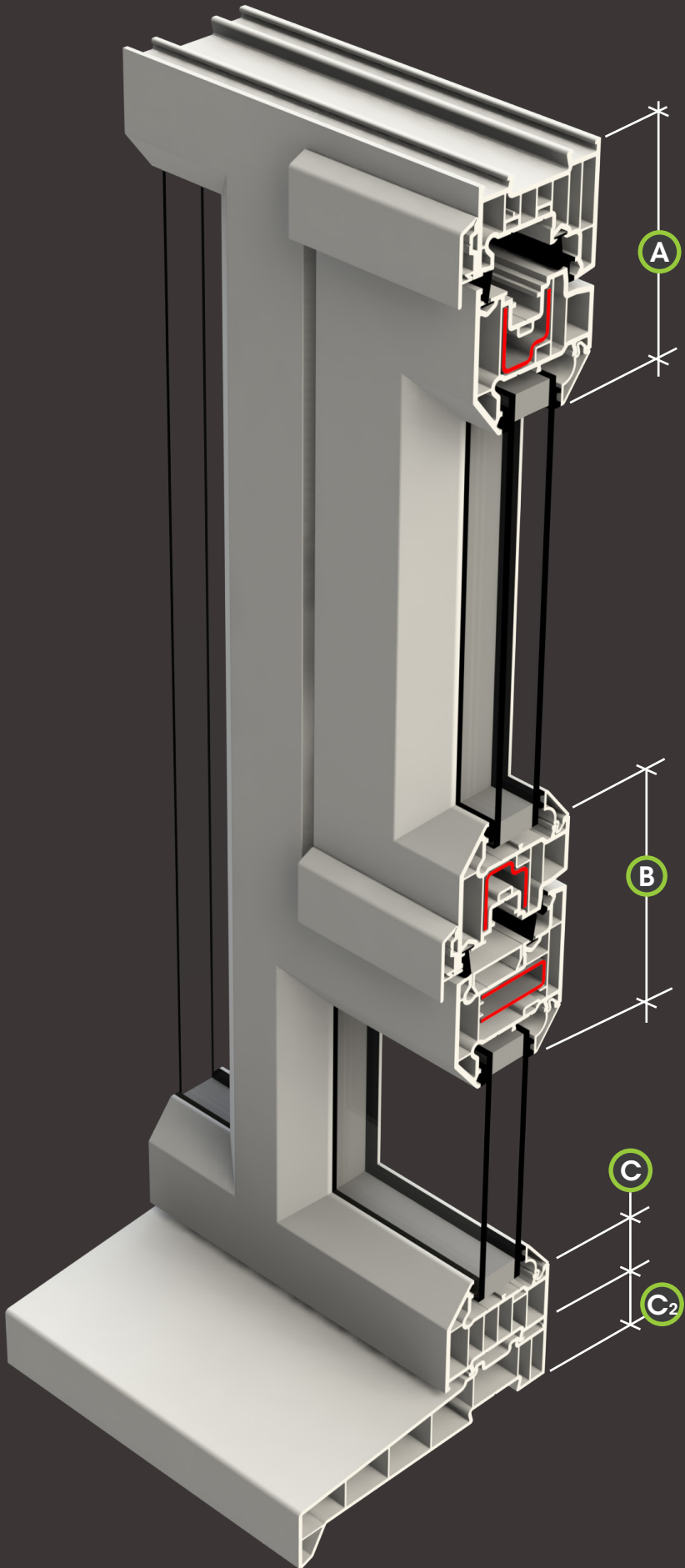
Technical information

Reversible Window

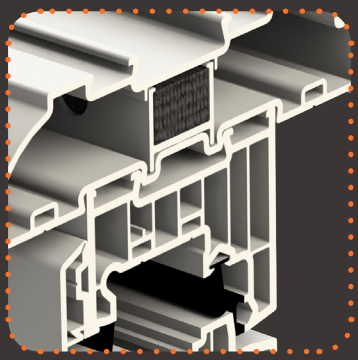


Reversible Window

Vertical Cross Section - outward opening, internally beaded



Optional glazing filpper



Optional head vent

Reversible window

- Sash rotates a full 180° for safe cleaning
- Fully flush on both sides with chamfered finish
- 28mm double or 36/40mm triple glazing
- U-Values as low as 1.3 (DGU) and 1.0 (TGU)
- One-piece drip bar for weather protection

Accreditations



PAS24



Secured by Design



BS EN 12608



ISO 9001



BS EN 6375

Colour Options



White or White Foil



Cream or Cream Foil



7016 Grey



Black/Brown

Additional colours are available to order as specials.
The colours shown in this brochure give an indication only.

Product	Dim. A
Small frame & sash LRW012 & LRW033	111mm

Product	Dim. B
Transom & sash LRW022 & LRW033	139mm

Product	Dim. C
Small frame LCW012	57mm



Liniar specification guide

The Liniar Specification Guide is an A4-size, 234-page, full colour guide to specifying energy efficient PVCu windows and doors.

Covering the full range of lead-free Liniar products including residential doors, the Specification Guide includes full product charts, U-values, dimensions, accreditations, safety information and a variety of case studies.

To view an online copy of the Liniar Specification Guide and to order your free copy visit :

www.liniar.co.uk/specification-guide

Liniar

Flamstead House
Denby Hall Business Park
Denby
Derbyshire DE5 8JX

Tel: +44 (0)1332 883900
Fax: +44 (0)1332 883901
Email: sales@liniar.co.uk

www.liniar.co.uk/reversible

